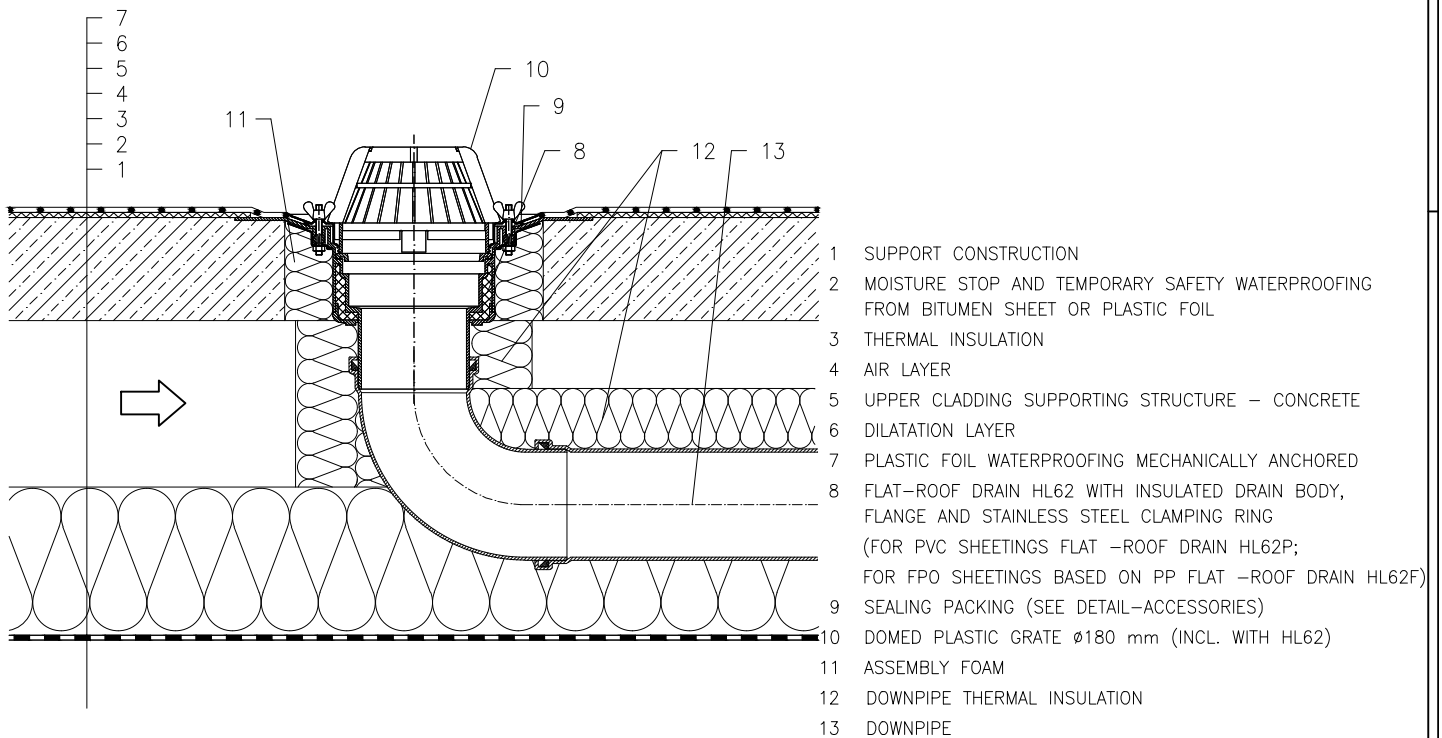


DOUBLE LAYER ROOF – ANCHORED SYSTEM, CONCRETE SUPPORTING STRUCTURE
 PLASTIC FOIL WATERPROOFING



NOTE:

FLAT-ROOF DRAIN HL62.1(FOR PVC SHEETINGS FLAT –ROOF DRAIN HL62.1P;
 FOR FPO SHEETINGS BASED ON PP FLAT –ROOF DRAIN HL62.1F) HEATED (230V, 10–30 WATTS) CAN BE USED.
 ASSEMBLY INLET: ϕ 255 mm, OR 255 x 380 mm